

INCH-POUND

MIL-S-24235/9E(SH)

28 December 1992

SUPERSEDING

MIL-S-24235/9D(SH)

21 August 1989

MILITARY SPECIFICATION SHEET

STUFFING TUBES, METAL, AND PACKING ASSEMBLIES FOR
ELECTRIC CABLES, BRASS AND STEEL, FOR DECKS
AND BULKHEADS WITH PIPE PROTECTION

This specification is approved for use by the Naval Sea Systems Command, Department of the Navy, and is available for use by all Departments and Agencies of the Department of Defense.

The requirements for acquiring the product described herein shall consist of this specification sheet and the issue of the following specification listed in that issue of the Department of Defense Index of Specifications and Standards (DODISS) specified in the solicitation: MIL-S-24235

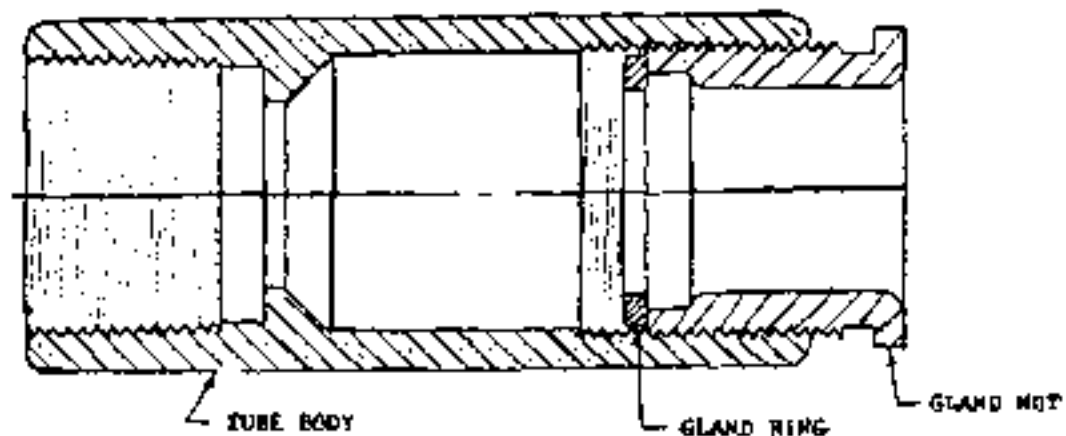


FIGURE 1 Stuffing tube assembly. (G2)

NOTES:

1. Dimensions are in inches.
2. Unless otherwise specified, tolerances shall be as follows:
Decimals - plus or minus 0.005 inch
Fractions - plus or minus 1/64 inch.
Angular dimensions - plus or minus 30 minutes.

AMSC N/A

1 of 7

FSC 5975

DISTRIBUTION STATEMENT A

Approved for public release; distribution is unlimited.

MIL-S-24235/5E(SH)

TABLE 1. Scuffing tube assembly (brass)

Assembly part or identifying number	Part or identifying numbers of components			Size	Symbol number
	Tube body 1 required	Gland nut 1 required	Gland ring 1 required		
M24235/9-001	M24235/9-031	M24235/9-061	M24235/9-091	A	1520
M24235/9-002	M24235/9-032	M24235/9-062	M24235/9-092	B	1521
M24235/9-003	M24235/9-033	M24235/9-063	M24235/9-093	C	1522
M24235/9-004	M24235/9-034	M24235/9-064	M24235/9-094	D	1523
M24235/9-005	M24235/9-035	M24235/9-065	M24235/9-095	E	1524
M24235/9-006	M24235/9-036	M24235/9-066	M24235/9-096	F	1525
M24235/9-007	M24235/9-037	M24235/9-067	M24235/9-097	G	1526
M24235/9-008	M24235/9-038	M24235/9-068	M24235/9-098	H	1527
M24235/9-009	M24235/9-039	M24235/9-069	M24235/9-099	K	1528
M24235/9-010	M24235/9-040	M24235/9-070	M24235/9-100	L	1529
M24235/9-011	M24235/9-041	M24235/9-071	M24235/9-101	M	1530
M24235/9-012	M24235/9-042	M24235/9-072	M24235/9-102	N	1531
M24235/9-013	M24235/9-043	M24235/9-073	M24235/9-103	P	1532
M24235/9-014	M24235/9-044	M24235/9-074	M24235/9-104	R	1533
M24235/9-015	M24235/9-045	M24235/9-075	M24235/9-105	S	1534
M24235/9-016	M24235/9-046	M24235/9-076	M24235/9-106	T	1535
M24235/9-017	M24235/9-047	M24235/9-077	M24235/9-107	V	1536
M24235/9-018	M24235/9-048	M24235/9-078	M24235/9-108	W	1537
M24235/9-019	M24235/9-049	M24235/9-079	M24235/9-109	X	1538
M24235/9-020	M24235/9-050	M24235/9-080	M24235/9-110	Y	1539
M24235/9-021	M24235/9-051	M24235/9-081	M24235/9-111	Z	1540
M24235/9-022	M24235/9-052	M24235/9-082	M24235/9-112	AA	1541
M24235/9-023	M24235/9-053	M24235/9-083	M24235/9-113	BB	1542

TABLE I2 Stuffing tube assembly (steel)

Assembly part or identifying number	Part or identifying numbers of components			Size	Symbol number
	Tube body 1 required	Gland nut 1/ 1 required	Gland ring 1 required		
M24235/9-121	M24235/9-151	M24235/9-061	M24235/9-181	A	1570
M24235/9-122	M24235/9-152	M24235/9-062	M24235/9-182	B	1571
M24235/9-123	M24235/9-153	M24235/9-063	M24235/9-183	C	1572
M24235/9-124	M24235/9-154	M24235/9-064	M24235/9-184	D	1573
M24235/9-125	M24235/9-155	M24235/9-065	M24235/9-185	E	1574
M24235/9-126	M24235/9-156	M24235/9-066	M24235/9-186	F	1575
M24235/9-127	M24235/9-157	M24235/9-067	M24235/9-187	G	1576
M24235/9-128	M24235/9-158	M24235/9-068	M24235/9-188	J	1577
M24235/9-129	M24235/9-159	M24235/9-069	M24235/9-189	K	1578
M24235/9-130	M24235/9-160	M24235/9-070	M24235/9-190	L	1579
M24235/9-131	M24235/9-161	M24235/9-071	M24235/9-191	M	1580
M24235/9-132	M24235/9-162	M24235/9-072	M24235/9-192	N	1581
M24235/9-133	M24235/9-163	M24235/9-073	M24235/9-193	P	1582
M24235/9-134	M24235/9-164	M24235/9-074	M24235/9-194	R	1583
M24235/9-135	M24235/9-165	M24235/9-075	M24235/9-195	S	1584
M24235/9-136	M24235/9-166	M24235/9-076	M24235/9-196	T	1585
M24235/9-137	M24235/9-167	M24235/9-077	M24235/9-197	V	1586
M24235/9-138	M24235/9-168	M24235/9-078	M24235/9-198	W	1587
M24235/9-139	M24235/9-169	M24235/9-079	M24235/9-199	X	1588
M24235/9-140	M24235/9-170	M24235/9-080	M24235/9-200	Y	1589
M24235/9-141	M24235/9-171	M24235/9-081	M24235/9-201	Z	1590
M24235/9-142	M24235/9-172	M24235/9-082	M24235/9-202	AA	1591
M24235/9-143	M24235/9-173	M24235/9-083	M24235/9-203	BB	1592

1/ Brass

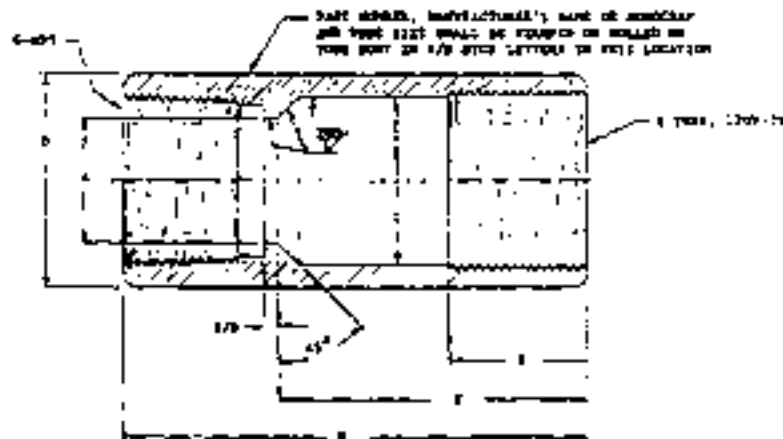


FIGURE 2. Tube body configuration (02) (03)

TABLE III Tube body dimensions

Size	Part or identifying number (brass)	Part or identifying number (steel)	A DIA	B THDS	C DIA	D DIA	E 1/	F	G-NPT	H
A	M24235/9-031	M24235/9-151	0.406	0.875	0.767	1-1/8	7/8	1-3/8	3/8-18	2-3/4
B	M26235/9-032	M26235/9-152	.515	1.000	.892	1-3/4	7/8	1-5/8	1/2-14	2-3/4
C	M24235/9-033	M24235/9-153	.640	1.125	1.017	1-3/8	7/8	1-5/8	3/4-14	3
D	M24235/9-034	M24235/9-154	.750	1.250	1.142	1-3/2	7/8	1-5/8	3/4-14	3
E	M24235/9-035	M24235/9-155	.812	1.250	1.142	1-5/8	7/8	1-5/8	1-11-1/2	3-1/8
F	M24235/9-036	M26235/9-156	.863	1.312	1.204	1-5/8	7/8	1-5/8	1-11-1/2	3-1/8
G	M26235/9-037	M24235/9-157	.953	1.500	1.392	1-13/16	1	1-11/16	1-11-1/2	3-1/8
J	M26235/9-038	M24235/9-158	1.062	1.625	1.517	2	1	1-11/16	1-1/4-11-1/2	3-1/8
K	M24235/9-039	M26235/9-159	1.171	1.750	1.642	2-1/16	1-5/16	3	1-1/4-11-1/2	6-1/2
L	M24735/9-040	M24235/9-160	1.265	1.812	1.704	2-1/8	1-5/16	3	1-1/4-11-1/2	6-1/2
M	M24235/9-041	M24235/9-161	1.406	2.000	1.892	2-5/16	1-5/16	3	1-1/2-11-1/2	6-1/2
N	M24235/9-042	M24235/9-162	1.515	2.062	1.954	2-3/16	1-5/16	3	1-3/2-11-1/2	6-1/2
P	M24235/9-043	M24235/9-163	1.625	2.188	2.079	2-3/8	1-5/16	3	2-11-1/2	6-1/2
R	M26235/9-044	M26235/9-164	1.750	2.312	2.204	2-3/4	1-5/16	3	2-11-1/2	6-1/2
S	M24235/9-045	M24235/9-165	1.875	2.688	2.579	3-1/16	1-7/8	5	2-11-1/2	7
T	M24235/9-046	M24235/9-166	2.062	2.875	2.767	3-1/8	1-7/8	5	2-1/2-8	7-1/4
V	M24235/9-047	M24235/9-167	2.187	3.000	2.892	3-3/8	1-7/8	5	2-1/2-8	7-1/4
W	M24235/9-048	M24235/9-168	2.312	3.125	3.017	3-1/2	1-7/8	5	2-1/2-8	7-1/4
X	M24235/9-049	M24235/9-169	2.500	3.250	3.142	3-7/8	1-7/8	5	3-8	7-1/4
Y	M24235/9-050	M24235/9-170	2.609	3.375	3.267	3-7/8	1-7/8	5	3-8	7-1/4
Z	M24235/9-051	M24235/9-171	2.781	3.562	3.454	3-15/16	1-7/8	5	3-8	7-1/4
AA	M24235/9-052	M24235/9-172	2.875	3.750	3.642	4-1/8	2-11/16	6-3/4	3-8	9
BB	M24235/9-053	M24235/9-173	3.157	4.000	3.892	4-1/2	2-11/16	6-3/4	3-1/2-8	9

M Tolerance shall be minus 0, plus 4 threads

MIL-S-24235/9E(SH)

TABLE IV. Gland nut dimensions.

Part or identifying number	Size	A DIA	B THDS	C	D	E	F DIA	G
M24235/9-061	A	0.406	0.875	1-1/16	3/16	1-1/32	9/16	1/4
M24235/9-062	B	.515	1.000	1-1/16	3/16	1-1/8	11/16	1/4
M24235/9-063	C	.640	1.125	1-1/16	3/16	1-1/4	13/16	1/4
M24235/9-064	D	.750	1.250	1-1/16	3/16	1-3/8	15/16	1/4
M24235/9-065	E	.812	1.250	1-1/16	3/16	1-3/8	15/16	1/4
M24235/9-066	F	.843	1.312	1-1/16	3/16	1-7/16	1	1/4
M24235/9-067	G	.953	1.500	1-3/16	3/16	1-21/32	1-3/16	1/4
M24235/9-068	J	1.062	1.625	1-3/16	3/16	1-25/32	1-1/4	1/4
M24235/9-069	K	1.171	1.750	1-1/2	3/16	1-7/8	1-3/8	1/4
M24235/9-070	L	1.265	1.812	1-1/2	3/16	1-15/16	1-7/16	1/4
M24235/9-071	M	1.406	2.000	1-1/2	3/16	2-3/16	1-5/8	1/4
M24235/9-072	N	1.515	2.062	1-9/16	1/4	2-1/4	1-11/16	1/4
M24235/9-073	P	1.625	2.188	1-9/16	1/4	2-11/32	1-13/16	1/4
M24235/9-074	R	1.750	2.312	1-9/16	1/4	2-15/32	1-15/16	1/4
M24235/9-075	S	1.875	2.688	2-3/16	5/16	2-13/16	2-5/32	3/8
M24235/9-076	T	2.062	2.875	2-3/16	5/16	2-31/32	2-5/16	3/8
M24235/9-077	V	2.187	3.000	2-3/16	5/16	3-3/32	2-7/16	3/8
M24235/9-078	W	2.312	3.125	2-3/16	5/16	3-9/32	2-9/16	3/8
M24235/9-079	X	2.500	3.250	2-3/16	5/16	3-7/16	2-11/16	3/8
M24235/9-080	Y	2.609	3.375	2-3/16	5/16	3-9/16	2-13/16	3/8
M24235/9-081	Z	2.781	3.562	2-3/16	5/16	3-3/4	3-5/32	3/8
M24235/9-082	AA	2.875	3.750	3-1/8	5/16	3-7/8	----	3/8
M24235/9-083	BB	3.157	4.000	3-1/8	5/16	4-1/8	----	3/8

Note: The gland nut may be manufactured with equivalent "A" and "F" dimension

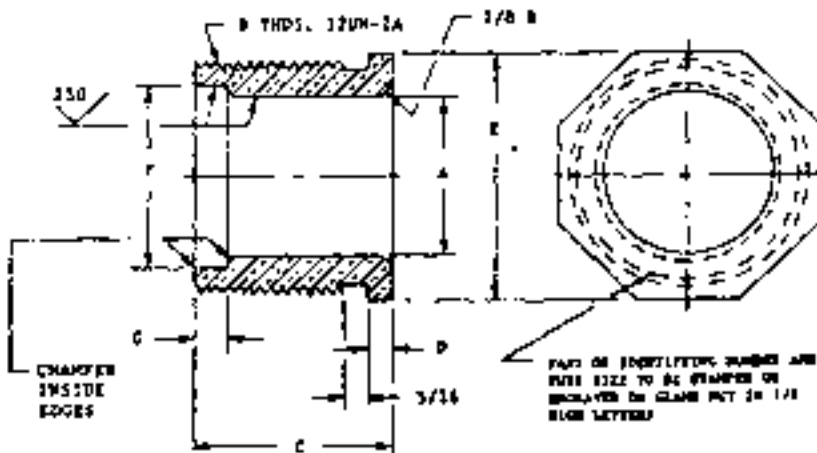


FIGURE 3 Gland nut configuration (brass)

(04) (05)

TABLE V. Gland ring dimensions.

Part or identifying number (brass)	Part or identifying number (steel)	A DIA	B DIA	Size
M24235/9-091	M24235/9-181	0.406	3/4	A
M24235/9-092	M24235/9-182	.515	7/8	B
M24235/9-093	M24235/9-183	.640	1	C
M24235/9-094	M24235/9-184	.750	1-1/8	D
M24235/9-095	M24235/9-185	.812	1-1/8	E
M24235/9-096	M24235/9-186	.843	1-3/16	F
M24235/9-097	M24235/9-187	.953	1-3/8	G
M24235/9-098	M24235/9-188	1.062	1-1/2	J
M24235/9-099	M24235/9-189	1.171	1-5/8	K
M24235/9-100	M24235/9-190	1.265	1-11/16	L
M24235/9-101	M24235/9-191	1.406	1-7/8	M
M24235/9-102	M24235/9-192	1.515	1-15/16	N
M24235/9-103	M24235/9-193	1.625	2-1/16	P
M24235/9-104	M24235/9-194	1.750	2-3/16	R
M24235/9-105	M24235/9-195	1.875	2-9/16	S
M24235/9-106	M24235/9-196	2.062	2-3/4	T
M24235/9-107	M24235/9-197	2.187	2-7/8	V
M24235/9-108	M24235/9-198	2.313	3	W
M24235/9-109	M24235/9-199	2.500	3-1/8	X
M24235/9-110	M24235/9-200	2.609	3-1/4	Y
M24235/9-111	M24235/9-201	2.781	3-7/16	Z
M24235/9-112	M24235/9-202	2.875	3-5/8	AA
M24235/9-113	M24235/9-203	3.157	3-7/8	BB

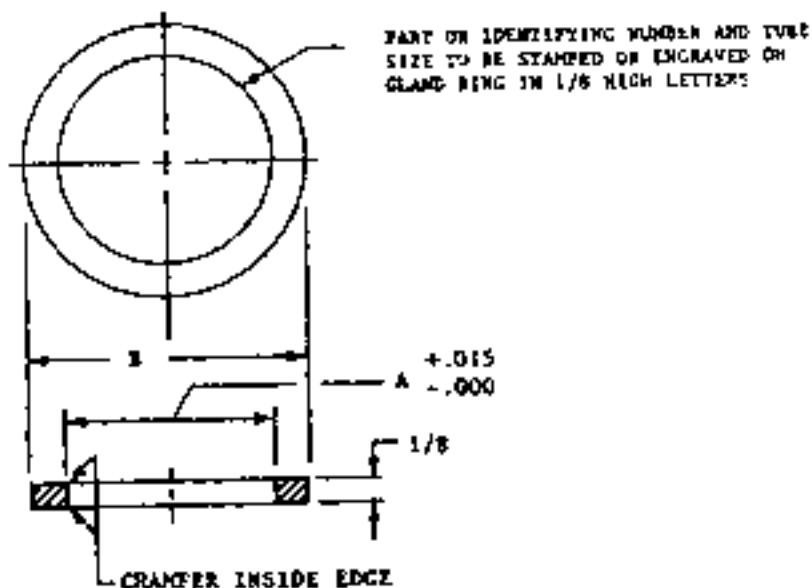


FIGURE 4. Gland ring configuration.

(06) (07) (08)

REQUIREMENT

- 1 Packing: Cable packing shall be in accordance with DOD-STD-2003, section 3

TABLE VI. Parts list.

Item no.	Description 1/	Qty 2/ M24235/9		Material and specification	Remarks
		001 - 023	121 - 143		
01	Stuffing tube assemblies	---	---		See figure 1 and tables I and II
02	Tube body	1	---	Brass, com1	See figure 2 and table III
03	Tube body	---	1	Steel, ASTM A 108	See figure 2 and table III
04	Gland nut	1	1	Brass, com1	See figure 3 and table IV
05	Gland ring	---	1	Steel, ASTM A 569, zinc plated 2/	See figure 4 and table V
06	Gland ring	1	---	Brass, com1	See figure 4 and table V

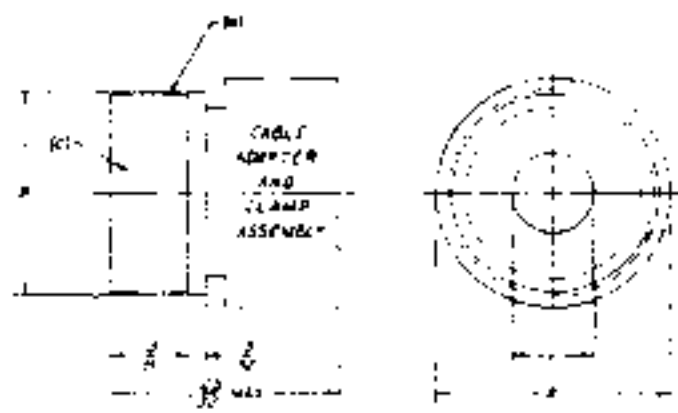
1/ See applicable figure and table listed in "Remarks" column for part numbers and dimensions.

2/ Quantity is for one complete assembly of each type (material) and size.

2/ Zinc plating shall be as specified in ASTM B 633

Revision letters are not used to denote changes due to the extensiveness of the changes.

Preparing activity:
Navy - SH
(Project 5975-M078-09)



SIZE	F MINIMUM CABLE ENTRY INSIDE DIA.	R MAXIMUM ACROSS CLAMP AND ADAPTER SHA.	P BOLT DIA.
4	$\frac{1}{2}$	$\frac{3}{8}$	$\frac{1}{8}$
6	$\frac{3}{4}$	$\frac{1}{2}$	$\frac{3}{16}$
8	$\frac{7}{8}$	$\frac{5}{8}$	$\frac{1}{4}$

- (A) MARKING DIMENSIONS, MALE THREAD, IN ACCORDANCE WITH (1) M24293M FOR PIN CONTACTS, 'M' IN PART NUMBER, OR (2) M24293S FOR SOCKET CONTACTS, 'S' IN PART NUMBER.
- (B) SHELL SIZE AS SPECIFIED IN CONNECTOR PART NUMBER.
- (C) INSERT ARRANGEMENT IN ACCORDANCE WITH MS24242. INSERT ARRANGEMENT NUMBER CORRESPONDING TO SHELL SIZE AND AS SPECIFIED IN CONNECTOR PART NUMBER. ALTERNATE INSERT POSITION IF APPLICABLE, AS SPECIFIED IN CONNECTOR PART NUMBER. EXAMPLE OF CONNECTOR PART NUMBERS: SEE MIL-C-25915.

(B)

DIMENSIONS IN INCHES UNLESS OTHERWISE SPECIFIED.
 TOLERANCES DECIMALS ± 0.2, FRACTIONS ± 0.005, ANGLES ± 0.5°.
 CONTACTS SUPPLIED WITH BUT NOT INSTALLED IN CONNECTORS.

MIL-C-24235-1 JAN 58 REVISION A, 27 MAY 78 (B) 18 OCT 60

MILITARY STANDARD
 CONNECTOR PLUG, ELECTRICAL CABLE MOUNTING
MS24235
 (USAF)

FORMERLY MIL-C-24235-1
 16 FEB 67-1
 2010