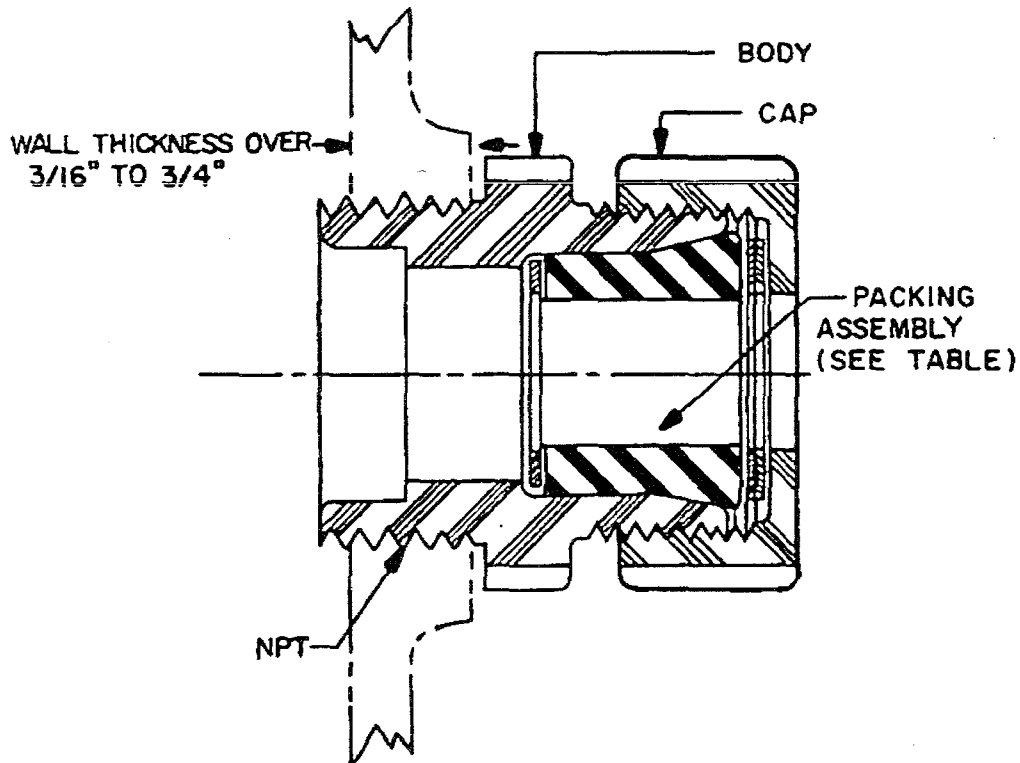


MIL-S-19622/3A(SH)
24 June 1986
SUPERSEDING
MIL-S-19622/3(SHIPS)
10 November 1966

MILITARY SPECIFICATION SHEET
STUFFING TUBES, NPT, NYLON

This specification sheet is approved for use within the Naval Sea Systems Command and is available for use by all Departments and Agencies of the Department of Defense.

The requirements for acquiring the NPT stuffing tubes described herein shall consist of this specification and the latest issue of MIL-S-19622.



SH 12716

(A) FIGURE 1. Configuration.

(A) denotes changes.

AMSC N/A
DISTRIBUTION STATEMENT A

Approved for public release; distribution unlimited

PSC 5975

(A) TABLE I. Size selection.

Tube size	Military part number	Military part numbers of components		Packing assembly ^{1/}	(A) NPT ^{2/} (inches)	Superseded part number
		Body	Cap			
1	M19622/3-001	M19622/7-001	M19622/10-0001	MIL-S-19622/16	1/2	MS17039-1
2	-002	-002	-0002	/17	3/4	MS17040-1
3	-003	-003	-0003	/18	1	MS17273-1
4T	-004	-004	-0005	/19	1	MS17041-1
5	-005	-005	-0006	/20	1-1/2	MS17042-1
6	-006	-006	-0007	/21	2	MS17043-1
7	-007	-007	-0008	/22	2-1/2	MS17044-1
8	-008	-008	-0009	/23	3	MS17045-1
9	-009	-009	-0010	/24	3-1/2	MS17046-1

^{1/} For information only, not to be furnished.

(A) ^{2/} Tolerances are as specified in FED-STD-H28/7.

Preparing activity:
Navy - SH
(Project 5975-N612-3)