

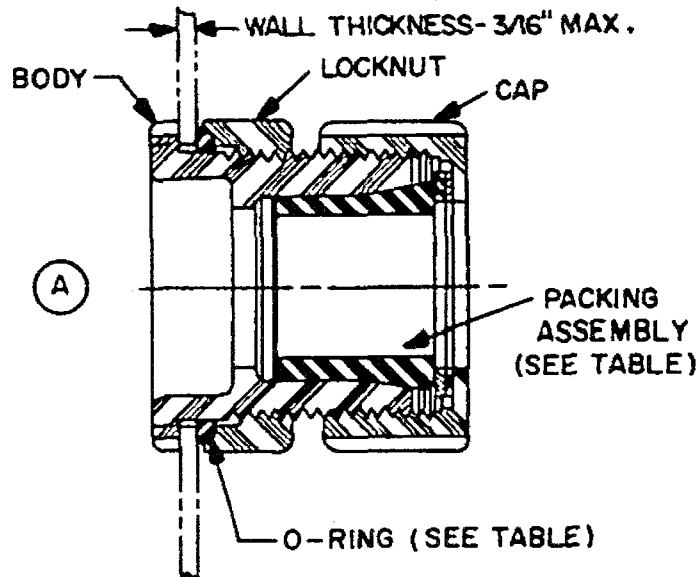
MIL-S-19622/1A(SH)  
24 June 1986  
SUPERSEDING  
MIL-S-19622/1(SHIPS)  
10 November 1966

MILITARY SPECIFICATION SHEET

STUFFING TUBES, STRAIGHT, NYLON

This specification sheet is approved for use within the Naval Sea Systems Command and is available for use by all Departments and Agencies of the Department of Defense.

The requirements for acquiring the stuffing tubes described herein shall consist of this specification and the latest issue of MIL-S-19622.



SH 12714

(A) FIGURE 1. Configuration.

(A) denotes changes.

AMSC N/A

FSC 5975

DISTRIBUTION STATEMENT A Approved for public release; distribution unlimited

(A) TABLE I. Size selection.

(A)

Tube size	Military part number	Military part numbers of components			Packing assembly <sup>2/</sup>	O-ring <sup>2/</sup>	Superseded part number
		Body	Locknut	Cap			
1	M19622/1-001	M19622/5-001	M19622/9-001	M19622/10-0001	M19622/16	MS28775-212	MS16155-1
2	-002	-002	-002	-0002	/17	MS28775-214	MS16156-2
3	-003	-003	-003	-0003	/18	MS28775-216	MS17270-3
<u>1/4</u>	-004	-004	-004	-0004	/19	MS28775-218	MS16157-4
4T	-005	-005	-005	-0005	/19	MS28775-220	MS16157-4T
5	-006	-006	-006	-0006	/20	MS28775-226	MS16158-5
6	-007	-007	-007	-0007	/21	MS28775-230	MS16159-6
7	-008	-008	-008	-0008	/22	MS28775-232	MS16160-7
8	-009	-009	-009	-0009	/23	MS28775-236	MS16161-8
9	-010	-010	-010	-0010	/24	MS28775-242	MS16162-9

<sup>1/</sup> Original size 4 is for replacement in existing installations only when size "4T" does not fit.

<sup>2/</sup> For information only, not to be furnished.

MIL-S-19622/1A(SH)

Preparing activity:  
Navy - SH  
(Project 5975-N612-1)